

Auto-Balanced Ionization System

Model 472 Gun Ionizer

Preliminary Version



Features

- CoreStat Auto-Balanced Technology
- Steady-State DC Ion Emission
- Low Balance
- Alarm for HV Power Fail
- HEPA Filter Controller

Benefits

- No Calibration Required
- Visual LED Alarm
- Audio Alarm
- Emitter Point Easy Clean and Replacement
- Versatile Applications
- Speed Controller Adjustable Air Pressure

Applications

Tribocharging is a typical ESD source and induced field from insulators must be controlled in EPA (ESD Protected Area). Process required insulators are commonly used in many places and should be neutralize by ionization systems.

CoreStat auto-balanced technology, Model 472 Gun Ionizer has designed versatile applications for semiconductor back-end, printed circuit board assembly and general electronics. Model 472 Gun Ionizer doesn't required regular based calibration and intrinsically maintain low offset voltage within a spec. Visual LED and audio alarms indicate when HV power failures.

Model 472 Gun Ionizer

Specifications

| | |
|-----------------------|---|
| Input Voltage | 100~ 240V AC |
| Ion Emission | Steady-State DC Technology |
| Ion Balance | Less than $\pm 15V$ average, Less than 20V peak. |
| Discharge Time | Less than 1 sec at 15cm, 30 psi air pressure |
| Emitter Point | Tungsten 99.99% |
| Alarm Function | Visual LED, Audio Buzzer when HV Failure |
| Air Pressure | 0.1 ~ 0.5Mpa |
| Air Inlet | 6mm diameter |
| Material | Ionizer Body: ABS, Nozzle: Teflon |
| Operating Environment | Temperature: 15 ~ 35°C, Relative Humidity: 35 ~ 75% RH |
| Dimensions(WxHxD) | 154H x 162W x 30D mm |
| Weight | 215g |
| Warranty | 1 Year Limited |

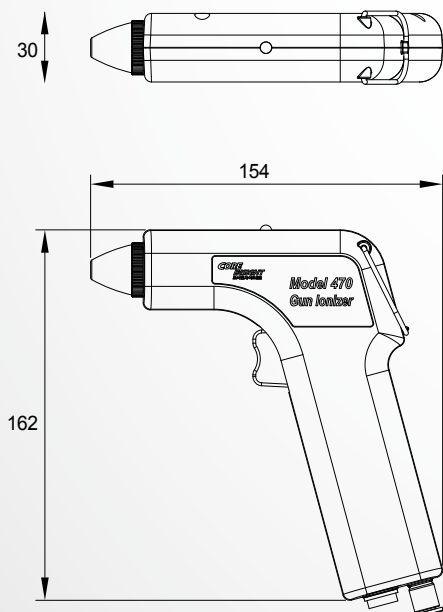
Model 472 Detail



CONTROLLER



Sizes & Dimensions (mm)



Model 472 Discharge Time

Air Pressure 3bar

| |
|------------------|
| +Decay time(sec) |
| -Decay time(sec) |

0 50 150 300 500

